

# ZHENGZHOU ZHONGYUAN SUPER HARD TOOLS CO.,LTD

ZY SUPER HARD TOOLS WOOD WORKING SERIES

## DIAMOND

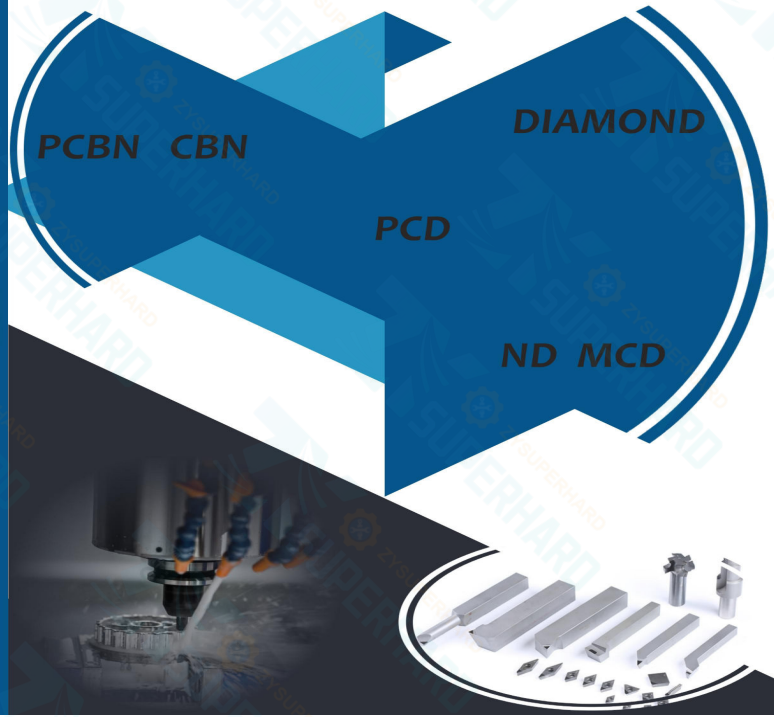
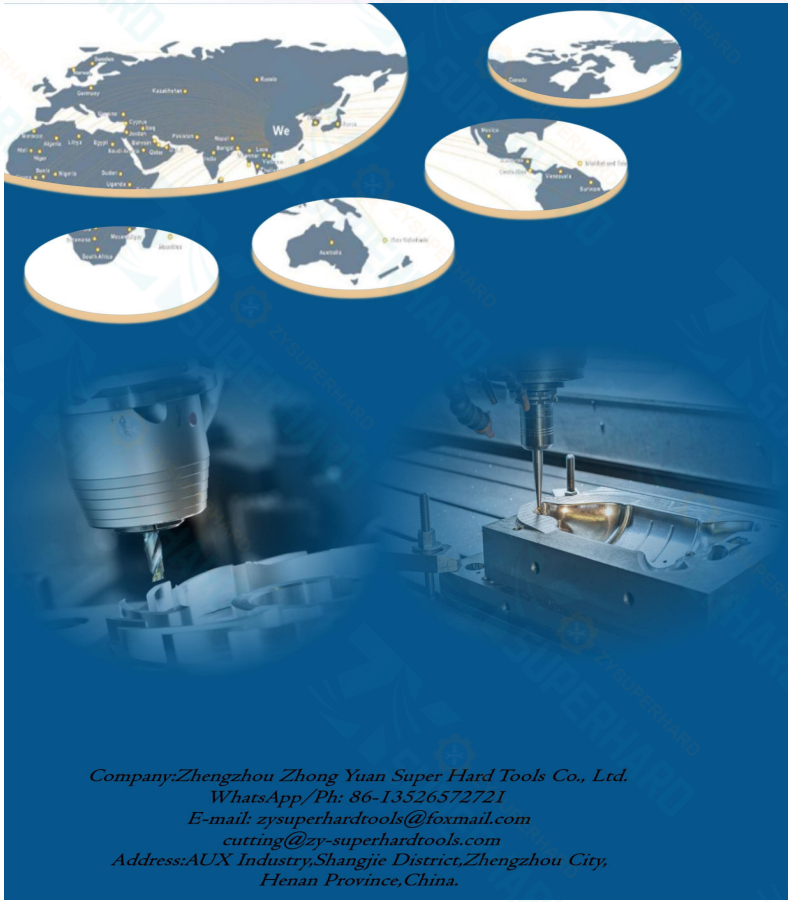
### PCD CUTTER / ROUTER BITS

WOOD FURNITURE INDUSTRY

Produce Different PCD Tools Depending On The Drawing

[www.zydiamondtools.com](http://www.zydiamondtools.com)

[www.zy-superhardtools.com](http://www.zy-superhardtools.com)



Company:Zhengzhou Zhong Yuan Super Hard Tools Co., Ltd.  
WhatsApp/Ph: 86-13526572721  
E-mail: zysuperhardtools@foxmail.com  
cutting@zy-superhardtools.com  
Address:AUX Industry,Shangjie District,Zhengzhou City,  
Henan Province,China.

# Diamond PCD CNC Spiral Milling Cutter 1+1

Material: Diamond

Function: cutting, slotting, trimming

Application: Used for cutting and slitting of plain board, melamine veneer, paper veneer, fireproof veneer, veneer and plywood.

Features: high efficiency, no blackening, durable



| Shank | Diameter | Length | Total | Tooth |
|-------|----------|--------|-------|-------|
| 12mm  | 12mm     | 25mm   | 75mm  | 1+1   |
| 12mm  | 12mm     | 30mm   | 80mm  | 1+1   |
| 12mm  | 12mm     | 35mm   | 85mm  | 1+1   |
| 16mm  | 16mm     | 25mm   | 85mm  | 1+1   |
| 16mm  | 16mm     | 35mm   | 95mm  | 1+1   |
| 16mm  | 16mm     | 43mm   | 103mm | 1+1   |
| 20mm  | 16mm     | 25mm   | 85mm  | 1+1   |
| 20mm  | 16mm     | 35mm   | 95mm  | 1+1   |
| 20mm  | 16mm     | 43mm   | 103mm | 1+1   |
| 20mm  | 18mm     | 25mm   | 95mm  | 1+1   |
| 20mm  | 18mm     | 35mm   | 105mm | 1+1   |
| 20mm  | 18mm     | 43mm   | 115mm | 1+1   |
| 20mm  | 20mm     | 25mm   | 95mm  | 1+1   |
| 20mm  | 20mm     | 35mm   | 105mm | 1+1   |
| 20mm  | 20mm     | 43mm   | 115mm | 1+1   |

Detailed producing according to the drawing offered by customers.



# Diamond PCD CNC Spiral Milling Cutter 2+2

Material: Diamond

Function: cutting, slotting, trimming  
 Features: high efficiency, no blackening, durable



| Shank | Diameter | Length | Total | Tooth |
|-------|----------|--------|-------|-------|
| 16mm  | 16mm     | 28mm   | 85mm  | 2+2   |
| 16mm  | 16mm     | 35mm   | 95mm  | 2+2   |
| 20mm  | 18mm     | 28mm   | 100mm | 2+2   |
| 20mm  | 18mm     | 35mm   | 105mm | 2+2   |
| 20mm  | 18mm     | 43mm   | 115mm | 2+2   |
| 20mm  | 20mm     | 28mm   | 100mm | 2+2   |
| 20mm  | 20mm     | 35mm   | 105mm | 2+2   |
| 20mm  | 20mm     | 43mm   | 115mm | 2+2   |
| 25mm  | 20mm     | 28mm   | 100mm | 2+2   |
| 25mm  | 20mm     | 35mm   | 105mm | 2+2   |
| 25mm  | 20mm     | 43mm   | 115mm | 2+2   |
| 25mm  | 25mm     | 28mm   | 100mm | 2+2   |
| 25mm  | 25mm     | 35mm   | 105mm | 2+2   |
| 25mm  | 25mm     | 43mm   | 115mm | 2+2   |

Application: Used for cutting and slitting of plain board, melamine veneer, paper veneer, fireproof veneer, veneer and plywood.

Detailed producing according to the drawing offered by customers



# PCD CNC SPIRAL MILLING CUTTER 3+3

Material: Diamond

Function: cutting, slotting, trimming

Features: high efficiency, no blackening, durable

Application: Used for cutting and slitting of plain board, melamine veneer, paper veneer, fireproof veneer, veneer and plywood.



| Shank | Diameter | Length | Total | Tooth |
|-------|----------|--------|-------|-------|
| 20mm  | 20mm     | 28mm   | 90mm  | 3+3   |
| 20mm  | 20mm     | 37mm   | 96mm  | 3+3   |
| 20mm  | 20mm     | 45mm   | 105mm | 3+3   |
| 20mm  | 20mm     | 28mm   | 96mm  | 3+3   |
| 20mm  | 20mm     | 37mm   | 105mm | 3+3   |
| 20mm  | 25mm     | 45mm   | 113mm | 3+3   |
| 25mm  | 25mm     | 28mm   | 96mm  | 3+3   |
| 25mm  | 25mm     | 37mm   | 105mm | 3+3   |
| 25mm  | 25mm     | 45mm   | 113mm | 3+3   |
| 25mm  | 25mm     | 55mm   | 123mm | 3+3   |

## PCD CNC SPIRAL MILLING CUTTER 3+3

Material: Diamond

Function: cutting, slotting, trimming Features: high efficiency, no blackening, durable



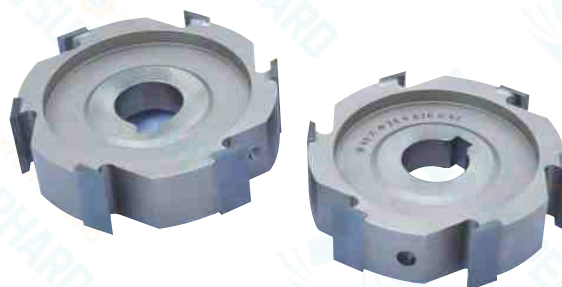
| Shank | Diameter | Length | Total | Tooth |
|-------|----------|--------|-------|-------|
| 20mm  | 20mm     | 28mm   | 90mm  | 3+3   |
| 20mm  | 20mm     | 37mm   | 96mm  | 3+3   |
| 20mm  | 20mm     | 45mm   | 105mm | 3+3   |
| 20mm  | 20mm     | 28mm   | 96mm  | 3+3   |
| 20mm  | 20mm     | 37mm   | 105mm | 3+3   |
| 20mm  | 25mm     | 45mm   | 113mm | 3+3   |
| 25mm  | 25mm     | 28mm   | 96mm  | 3+3   |
| 25mm  | 25mm     | 37mm   | 105mm | 3+3   |
| 25mm  | 25mm     | 45mm   | 113mm | 3+3   |
| 25mm  | 25mm     | 55mm   | 123mm | 3+3   |

## PCD EDGEBANDING CUTTER

Material: Diamond

Suitable for machines:

Various CNC edge banding machines



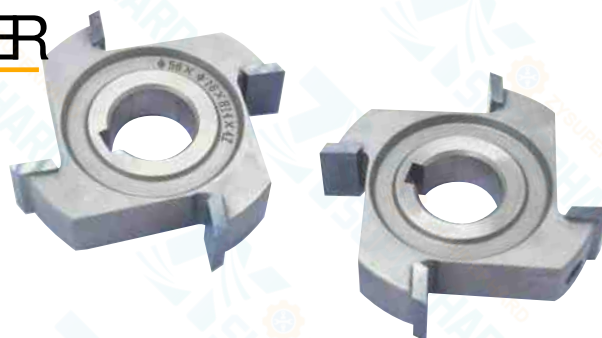
| Item No | Diameter | Inner hole | Height | Tooth | Shape |
|---------|----------|------------|--------|-------|-------|
| 1       | 80mm     | 20mm       | 20mm   | 6Z    | Flat  |

## PCD EDGEBANDING CUTTER

Material: Diamond

Suitable for machines:

Various CNC edge banding machines



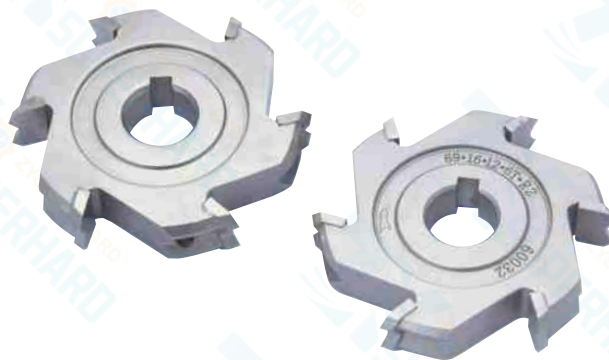
| Item No | Diameter | Inner hole | Height | Tooth | Shape |
|---------|----------|------------|--------|-------|-------|
| 1       | 56mm     | 16mm       | 14mm   | 4Z    | Flat  |
| 2       | 56mm     | 20mm       | 14mm   | 4Z    | Flat  |
| 3       | 50mm     | 16mm       | 10mm   | 4Z    | Flat  |
| 4       | 64mm     | 16mm       | 18mm   | 4Z    | Flat  |
| 5       | 56mm     | 16mm       | 14mm   | 6Z    | Flat  |

## PCD EDGE BANDING CUTTER

Material: Diamond

Suitable for machines:

Various CNC edge banding machines



| Item No | Diameter | Inner hole | Height | Tooth | Shape |
|---------|----------|------------|--------|-------|-------|
| 1       | 69mm     | 16mm       | 13mm   | 4Z/6Z | R1    |
| 2       | 69mm     | 16mm       | 13mm   | 4Z/6Z | R1.5  |
| 3       | 69mm     | 16mm       | 13mm   | 4Z/6Z | R2    |
| 4       | 69mm     | 16mm       | 13mm   | 4Z/6Z | R2.5  |
| 5       | 69mm     | 16mm       | 13mm   | 4Z/6Z | R3    |

## PCD EDGE BANDING CUTTER

Material: Diamond

Suitable for machines:

Various CNC edge banding machines



| Item No | Diameter | Inner hole | Height | Tooth | Shape |
|---------|----------|------------|--------|-------|-------|
| 1       | 75mm     | 20mm       | 16mm   | 4Z/6Z | R1.5  |
| 2       | 75mm     | 20mm       | 16mm   | 4Z/6Z | R2    |
| 3       | 75mm     | 20mm       | 17mm   | 4Z/6Z | R3    |

## PCD EDGE BANDING CUTTER

Material: Diamond

Suitable for machines:

Various CNC edge banding machine



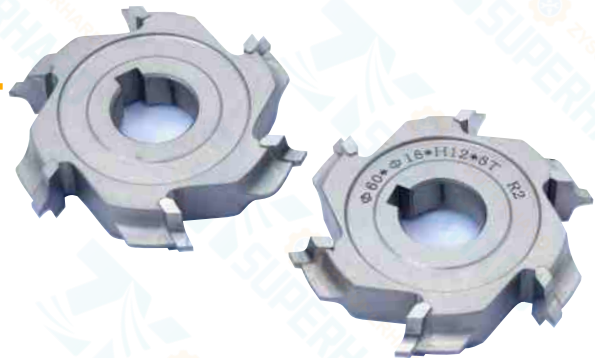
| Item No | Diameter | Inner hole | Height | Tooth | Shape |
|---------|----------|------------|--------|-------|-------|
| 1       | 70mm     | 16mm       | 17mm   | 3Z    | R2    |
| 2       | 70mm     | 16mm       | 17mm   | 3Z    | R2.5  |
| 3       | 70mm     | 16mm       | 17mm   | 3Z    | R3    |

## PCD EDGE BANDING CUTTER

Material: Diamond

Suitable for machines:

Various CNC edge banding machines



| Item No | Diameter | Inner hole | Height | Tooth | Shape |
|---------|----------|------------|--------|-------|-------|
| 1       | 60mm     | 16mm       | 12mm   | 4Z/6Z | R1.5  |
| 2       | 60mm     | 16mm       | 12mm   | 4Z/6Z | R2    |
| 3       | 60mm     | 16mm       | 12mm   | 4Z/6Z | R2.5  |
| 4       | 60mm     | 16mm       | 12mm   | 4Z/6Z | R3    |

## PCD EDGE BANDING CUTTER

Material: Diamond

Suitable for machines:

Various CNC edge banding machines



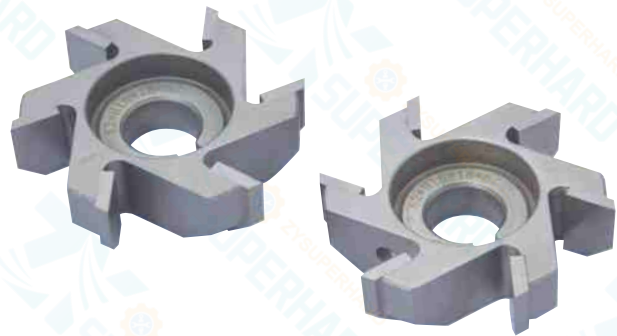
| Item No | Diameter | Inner hole | Height | Tooth | Shape |
|---------|----------|------------|--------|-------|-------|
| 1       | 68mm     | 16mm       | 16mm   | 4Z/6Z | R1.5  |
| 2       | 68mm     | 16mm       | 16mm   | 4Z/6Z | R2    |
| 3       | 68mm     | 16mm       | 16mm   | 4Z/6Z | R2.5  |
| 4       | 68mm     | 16mm       | 16mm   | 4Z/6Z | R3    |

## PCD EDGE BANDING CUTTER

Material: Diamond

Suitable for machines:

Various CNC edge banding machines



| Item No | Diameter | Inner hole | Height | Tooth | Shape         |
|---------|----------|------------|--------|-------|---------------|
| 1       | 62mm     | 16mm       | 18mm   | 6Z    | R-Bevel angle |
| 2       | 62mm     | 16mm       | 18mm   | 6Z    | L-Bevel angle |



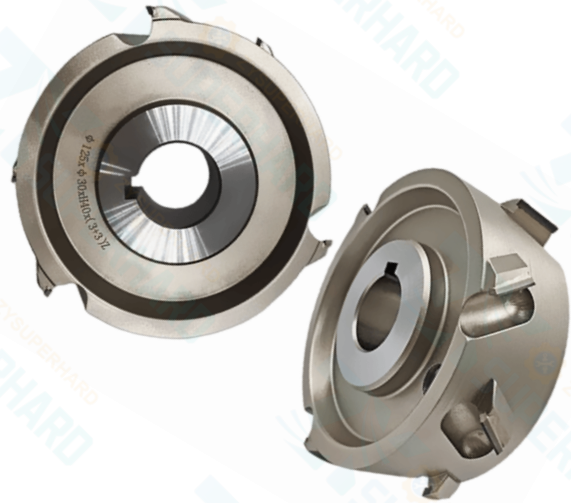
**EDGE**

# PCD EDGE BANDING CUTTER

Material: Diamond

Suitable for machines:

Various CNC edge banding machines



| Item No | Diameter | Inner hole | Height | Tooth |
|---------|----------|------------|--------|-------|
| 1       | 80mm     | 20mm       | 35mm   | 3+3   |
| 2       | 80mm     | 20mm       | 50mm   | 3+3   |
| 3       | 80mm     | 20mm       | 65mm   | 3+3   |
| 4       | 120mm    | 30mm       | 43mm   | 3+3   |
| 5       | 125mm    | 30mm       | 53mm   | 15Z   |
| 6       | 100mm    | 30mm       | 35mm   | 3+3   |
| 7       | 100mm    | 30mm       | 40mm   | 3+3   |
| 8       | 100mm    | 30mm       | 48mm   | 3+3   |
| 9       | 100mm    | 30mm       | 65mm   | 3+3   |
| 10      | 125mm    | 30mm       | 35mm   | 3+3   |
| 11      | 125mm    | 30mm       | 40mm   | 3+3   |
| 12      | 125mm    | 30mm       | 43mm   | 3+3   |
| 13      | 125mm    | 30mm       | 45mm   | 3+3   |
| 14      | 125mm    | 30mm       | 50mm   | 3+3   |
| 15      | 125mm    | 30mm       | 65mm   | 3+3   |
| 16      | 150mm    | 30mm       | 35mm   | 4+4   |
| 17      | 150mm    | 30mm       | 40mm   | 4+4   |
| 18      | 150mm    | 30mm       | 43mm   | 4+4   |
| 19      | 150mm    | 30mm       | 46mm   | 4+4   |
| 20      | 150mm    | 30mm       | 50mm   | 4+4   |
| 21      | 150mm    | 30mm       | 65mm   | 4+4   |

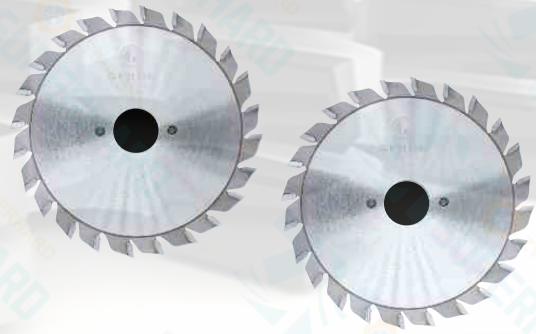
Note: can be customized

# PCD EDGE BANDING SAW

Material: Diamond

Suitable for machines:

Various CNC edge banding machines



| Item No | Diameter | Inner hole | Height    | Tooth | Shape |
|---------|----------|------------|-----------|-------|-------|
| 1       | 100mm    | 22mm       | 3.0mm     | 24Z   | RRR   |
| 2       | 100mm    | 22mm       | 3.0mm     | 24Z   | LLL   |
| 3       | 100mm    | 22mm       | 3.0mm     | 24Z   | RLRL  |
| 4       | 104mm    | 22mm       | 3.0/3.2mm | 24Z   | RRR   |
| 5       | 104mm    | 22mm       | 3.0/3.2mm | 24Z   | LLL   |
| 6       | 104mm    | 22mm       | 3.0/3.2mm | 24Z   | RLRL  |



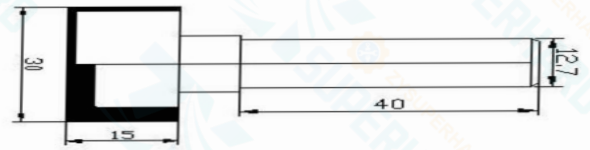
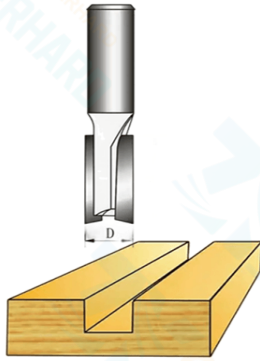
# PCD STRAIGHT BIT

## PCD 2 FLUTE STRAIGHT CUTTER

Material: Diamond

Suitable for machines:

Engraving machine, CNC cutting machine



| Item No | Shank           | Diameter | Length | Total    | Tooth      |
|---------|-----------------|----------|--------|----------|------------|
| 1       | 1/4, 12, 1/2    | 6mm      | 10mm   | straight | 2Z         |
| 2       | 1/4, 12, 1/2    | 6mm      | 15mm   | straight | 2Z         |
| 3       | 12, 1/2         | 7mm      | 20mm   | straight | 2Z         |
| 4       | 12, 1/2         | 8mm      | 20mm   | straight | 2Z         |
| 5       | 12, 1/2         | 8mm      | 25mm   | straight | 2Z         |
| 6       | 12, 1/2         | 8mm      | 30mm   | straight | 2Z         |
| 7       | 12, 1/2         | 10mm     | 30mm   | cleaning | 2Z         |
| 8       | 12, 1/2         | 12mm     | 15mm   | cleaning | 2Z         |
| 9       | 12, 1/2         | 15mm     | 15mm   | cleaning | 2Z         |
| 10      | 12, 1/2, 16     | 16mm     | 15mm   | cleaning | 2Z         |
| 11      | 12, 1/2, 16     | 17mm     | 15mm   | cleaning | 2Z         |
| 12      | 12, 1/2, 16     | 18mm     | 15mm   | cleaning | 2Z         |
| 13      | 12, 1/2, 16     | 19mm     | 15mm   | cleaning | 2Z         |
| 14      | 12, 1/2, 16, 20 | 20mm     | 15mm   | cleaning | 2Z-3Z      |
| 15      | 12, 1/2, 16, 20 | 22mm     | 15mm   | cleaning | 2Z-3Z      |
| 16      | 12, 1/2, 16, 20 | 25mm     | 15mm   | cleaning | 2Z-3Z      |
| 17      | 12, 1/2, 16, 20 | 26mm     | 15mm   | cleaning | 2Z-3Z      |
| 18      | 12, 1/2, 16, 20 | 28mm     | 15mm   | cleaning | 2Z-3Z      |
| 19      | 12, 1/2, 16, 20 | 30mm     | 15mm   | cleaning | 2Z, 3Z, 4Z |
| 20      | 12, 1/2, 16, 20 | 35mm     | 15mm   | cleaning | 2Z, 3Z, 4Z |
| 21      | 12, 1/2, 16, 20 | 40mm     | 15mm   | cleaning | 2Z, 3Z, 4Z |

# PCD COVE BOX BIT

## PCD BALL END MILLS

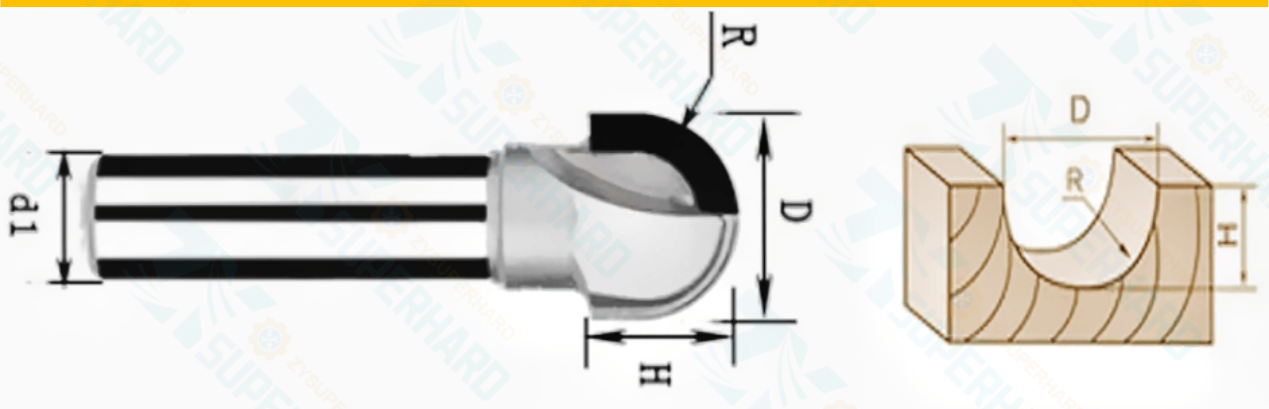
Material: Diamond

Suitable for machines:

Engraving machine, CNC cutting machine



| Item No | Shank        | Diameter | Length | Total        | Tooth |
|---------|--------------|----------|--------|--------------|-------|
| 1       | 1/4, 12, 1/2 | 6mm      | 7mm    | Round bottom | 2Z    |
| 2       | 1/4, 12, 1/2 | 7mm      | 7mm    | Round bottom | 2Z    |
| 3       | 1/4, 12, 1/2 | 8mm      | 7mm    | Round bottom | 2Z    |
| 4       | 1/4, 12, 1/2 | 9mm      | 7mm    | Round bottom | 2Z    |
| 5       | 1/4, 12, 1/2 | 10mm     | 7.5mm  | Round bottom | 2Z    |
| 6       | 12, 1/2      | 12mm     | 9mm    | Round bottom | 2Z    |
| 7       | 12, 1/2      | 14mm     | 10mm   | Round bottom | 2Z    |
| 8       | 12, 1/2      | 15mm     | 10.5mm | Round bottom | 2Z    |
| 9       | 12, 1/2      | 16mm     | 11mm   | Round bottom | 2Z    |
| 10      | 12, 1/2      | 18mm     | 12mm   | Round bottom | 2Z    |
| 11      | 12, 1/2      | 20mm     | 13mm   | Round bottom | 2Z    |
| 12      | 12, 1/2      | 22mm     | 15mm   | Round bottom | 2Z    |
| 13      | 12, 1/2      | 25mm     | 15.5mm | Round bottom | 2Z    |
| 14      | 12, 1/2      | 26mm     | 16mm   | Round bottom | 2Z    |
| 15      | 12, 1/2      | 28mm     | 17mm   | Round bottom | 2Z    |
| 16      | 12, 1/2      | 30mm     | 17.5mm | Round bottom | 2Z    |
| 17      | 12, 1/2      | 32mm     | 20mm   | Round bottom | 2Z    |
| 18      | 12, 1/2      | 35mm     | 21mm   | Round bottom | 2Z    |
| 19      | 12, 1/2      | 40mm     | 24mm   | Round bottom | 2Z    |
| 20      | 12, 1/2      | 45mm     | 26.5mm | Round bottom | 2Z    |
| 21      | 12, 1/2      | 50mm     | 28.5mm | Round bottom | 2Z    |



# PCD "V" TYPE SLOTTING BIT

Material: Diamond

Suitable for machines:

Engraving machine, CNC cutting machine



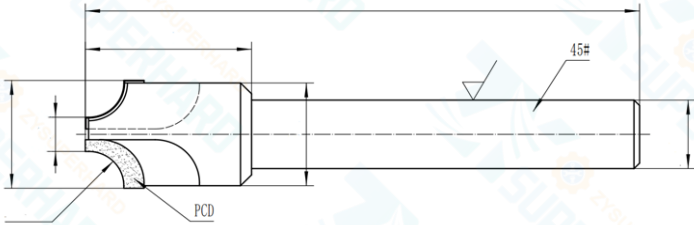
| Item No | Shank      | Angle | Diameter | Length | Tooth |
|---------|------------|-------|----------|--------|-------|
| 1       | 8, 12, 1/2 | 60°   | 12mm     | 10mm   | 2Z    |
| 2       | 8, 12, 1/2 | 60°   | 15mm     | 18mm   | 2Z    |
| 3       | 8, 12, 1/2 | 60°   | 20mm     | 16mm   | 2Z    |
| 4       | 8, 12, 1/2 | 60°   | 22mm     | 26mm   | 2Z    |
| 5       | 8, 12, 1/2 | 90°   | 8mm      | 4mm    | 2Z    |
| 6       | 8, 12, 1/2 | 90°   | 10mm     | 4.5mm  | 2Z    |
| 7       | 8, 12, 1/2 | 90°   | 12mm     | 6mm    | 2Z    |
| 8       | 8, 12, 1/2 | 90°   | 16mm     | 7.5mm  | 2Z    |
| 9       | 12, 1/2    | 90°   | 20mm     | 10mm   | 2Z    |
| 10      | 12, 1/2    | 90°   | 22mm     | 11mm   | 2Z    |
| 11      | 12, 1/2    | 90°   | 25mm     | 12mm   | 2Z    |
| 12      | 12, 1/2    | 90°   | 28mm     | 14mm   | 2Z    |
| 13      | 12, 1/2    | 90°   | 32mm     | 15mm   | 2Z    |
| 14      | 12, 1/2    | 90°   | 38mm     | 19mm   | 2Z    |
| 15      | 12, 1/2    | 90°   | 44mm     | 22mm   | 2Z    |
| 16      | 12, 1/2    | 90°   | 50mm     | 25mm   | 2Z    |
| 17      | 12, 1/2    | 120°  | 22mm     | 11mm   | 2Z    |
| 18      | 12, 1/2    | 120°  | 32mm     | 13mm   | 2Z    |
| 19      | 12, 1/2    | 120°  | 40mm     | 15mm   | 2Z    |
| 20      | 12, 1/2    | 120°  | 50mm     | 17mm   | 2Z    |
| 21      | 12, 1/2    | 150°  | 22mm     | 8mm    | 2Z    |
| 22      | 12, 1/2    | 150°  | 32mm     | 9mm    | 2Z    |
| 23      | 12, 1/2    | 150°  | 42mm     | 11mm   | 2Z    |
| 24      | 12, 1/2    | 150°  | 50mm     | 12mm   | 2Z    |
| 25      | 12, 1/2    | 150°  | 63mm     | 13mm   | 2Z    |

# PCD Diamond Trim Router Bit

Material: Diamond

Suitable for machines:

Engraving machine, CNC cutting machine



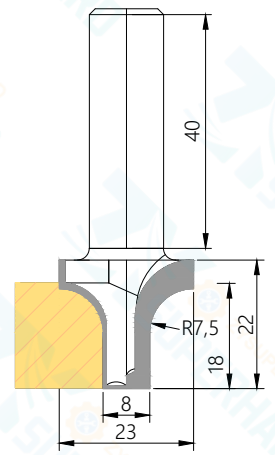
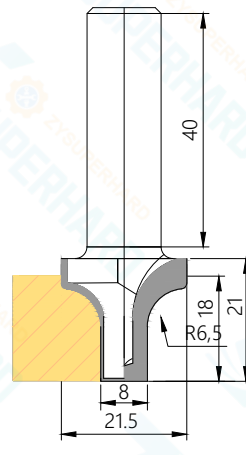
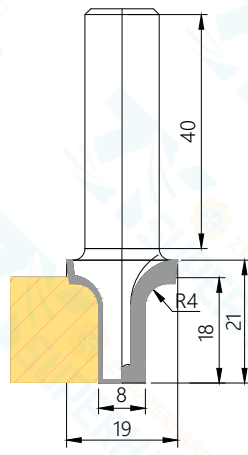
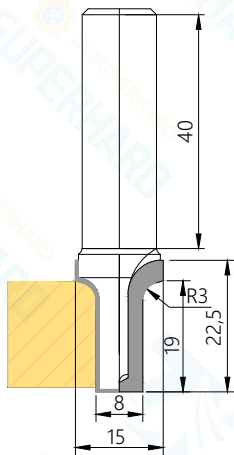
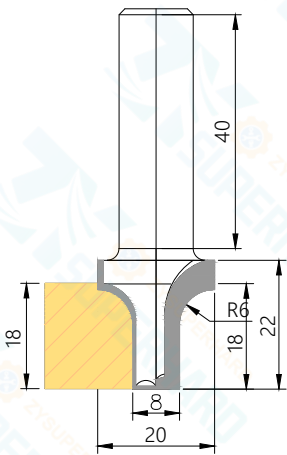
ZY14001

ZY14002

ZY14003

ZY14004

ZY14005



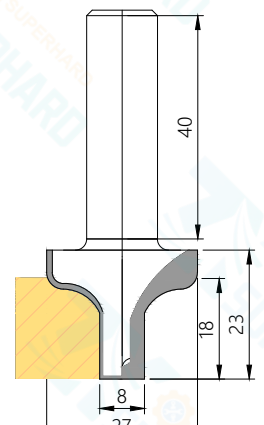
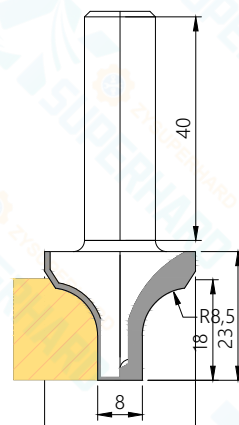
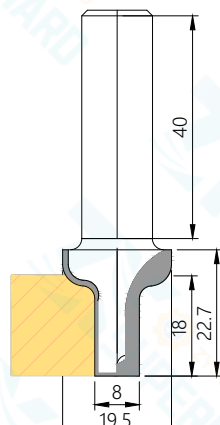
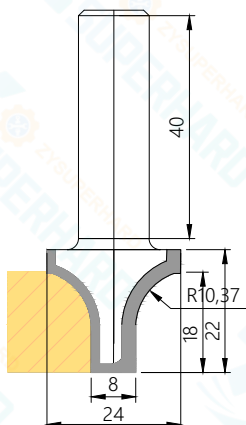
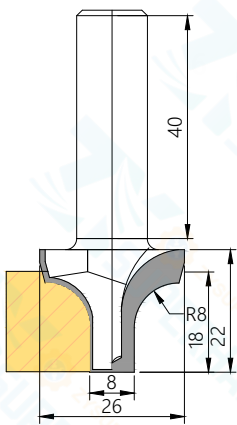
ZY14006

ZY14007

ZY14008

ZY14009

ZY14010



Also can be customized, depending on the detailed drawing

# PLUNGING ROUND-OVER BIT

## PCD Diamond Trim Router Bit

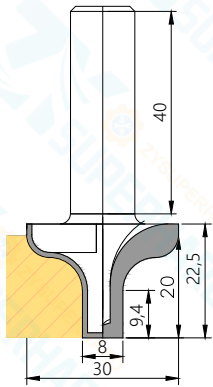
Material: Diamond

Suitable for machines:

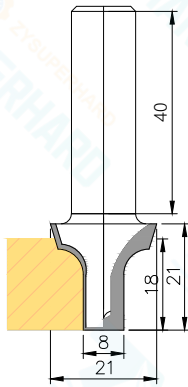
Engraving machine, CNC cutting machine



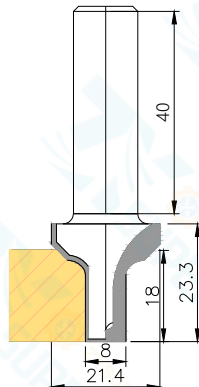
ZY14011



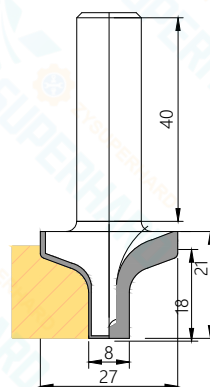
ZY14012



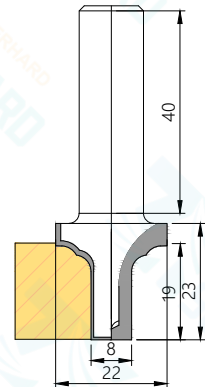
ZY14013



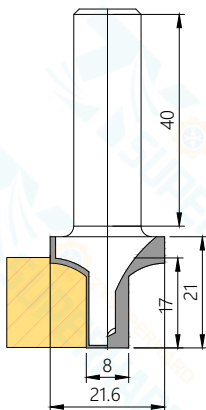
ZY14014



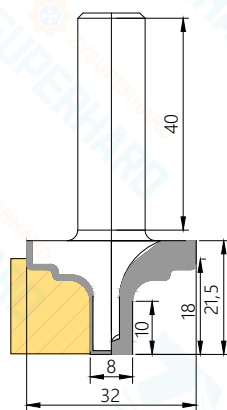
ZY14015



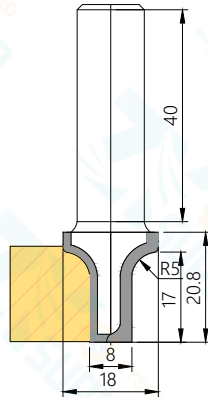
ZY14016



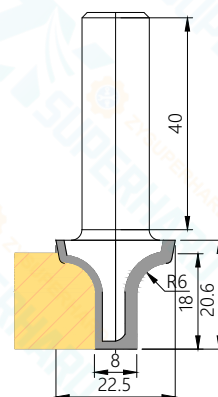
ZY14017



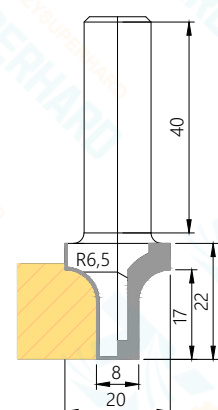
ZY14018



ZY14019



ZY14020



Also can be customized, depending on the detailed drawing

# PCD ROUTER BIT

## BUTTERFLY TYPE

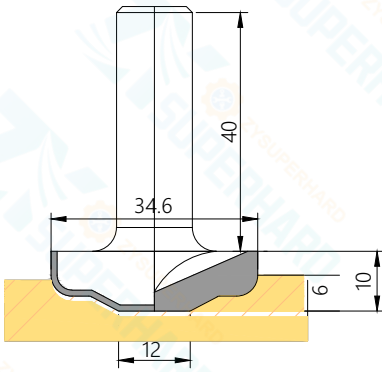
Material: Diamond

Suitable for machines:

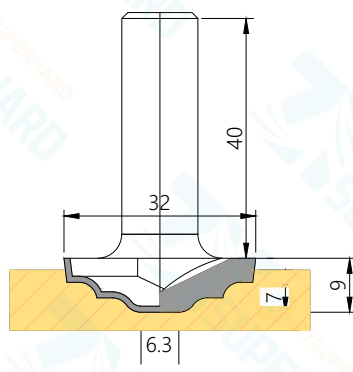
Engraving machine, CNC cutting machine



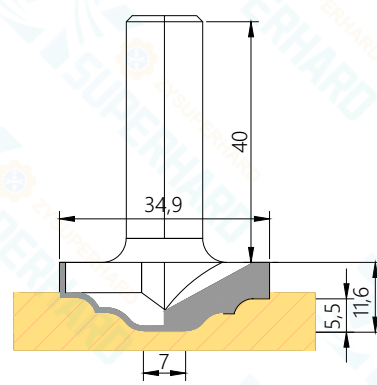
Z15001



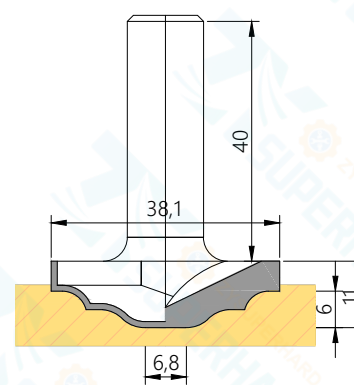
Z15002



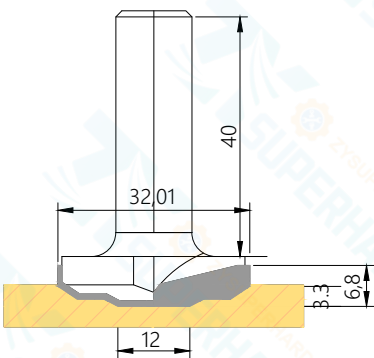
Z15003



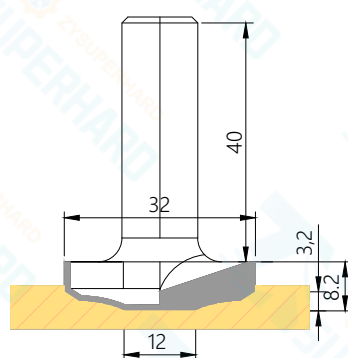
Z15004



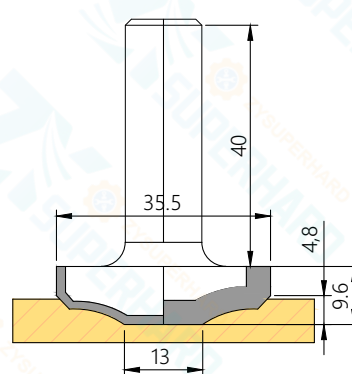
Z15005



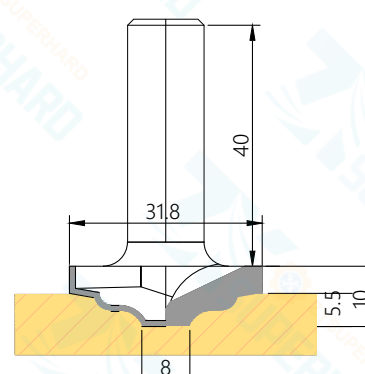
Z15006



Z15007



Z15008



Also can be customized, depending on the detailed drawing

Application: cabinets, shoe cabinets, wine cabinets.

TV cabinets, wardrobes and other furniture

Use: MDF, solid wood, multilayer board, plywood, miscellaneous wood, rosewood, soft and hardwood, etc.

# PCD ROUTER BIT

## BUTTERFLY TYPE

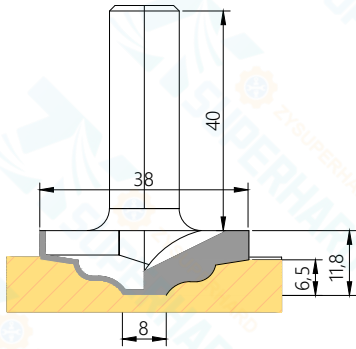
Material: Diamond

Suitable for machines:

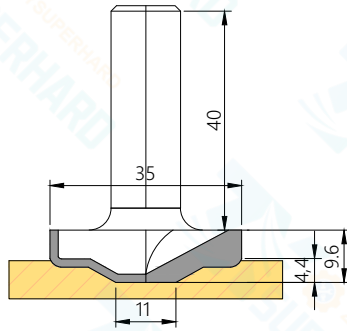
Engraving machine, CNC cutting machine



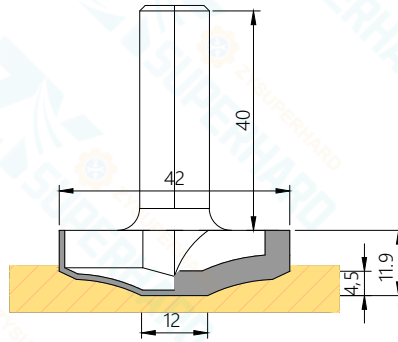
ZY15009



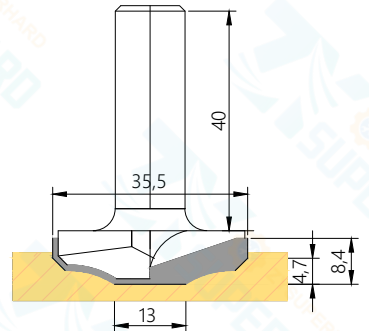
ZY15010



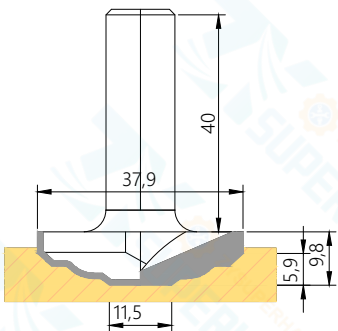
ZY15011



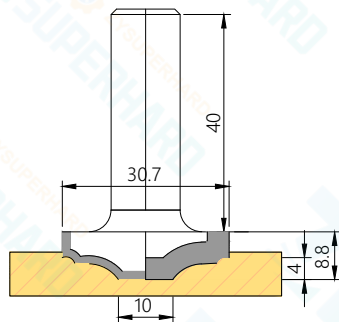
ZY15012



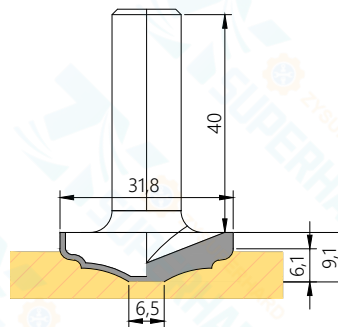
ZY15013



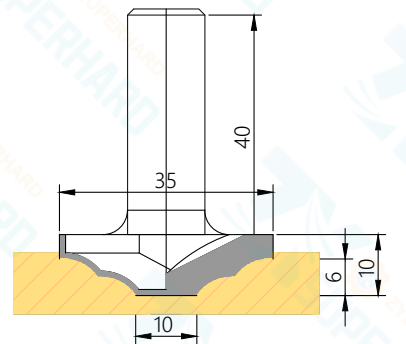
ZY15014



ZY15015



ZY15016



# ALL ROOM CUSTOM FURNITURE SPECIAL TOOL



## PCD ROUTER BIT

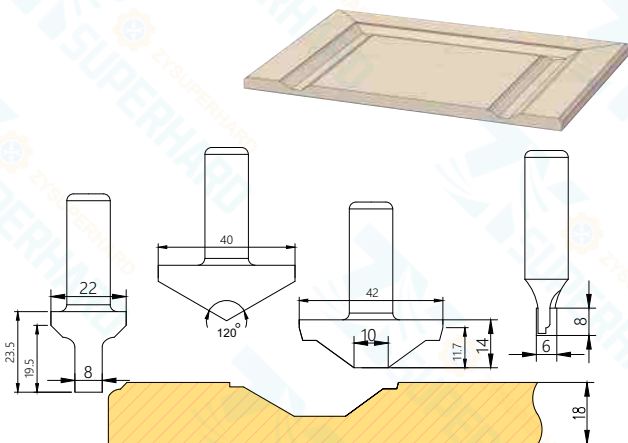
### PCD Carving Cutter Set

Material: Diamond

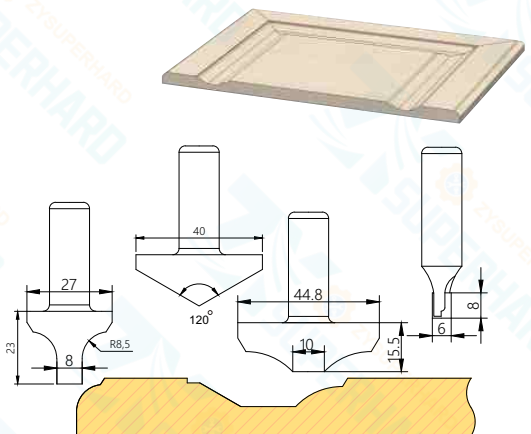
Suitable for machines:  
Engraving machine, CNC cutting machine



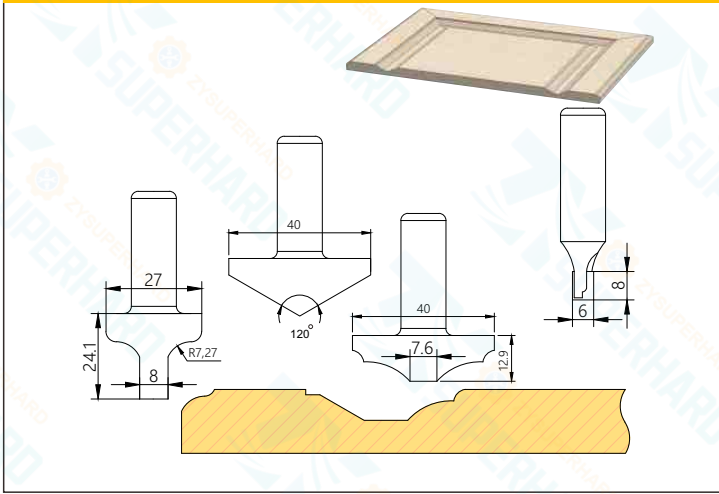
### 001# Sample reference diagram



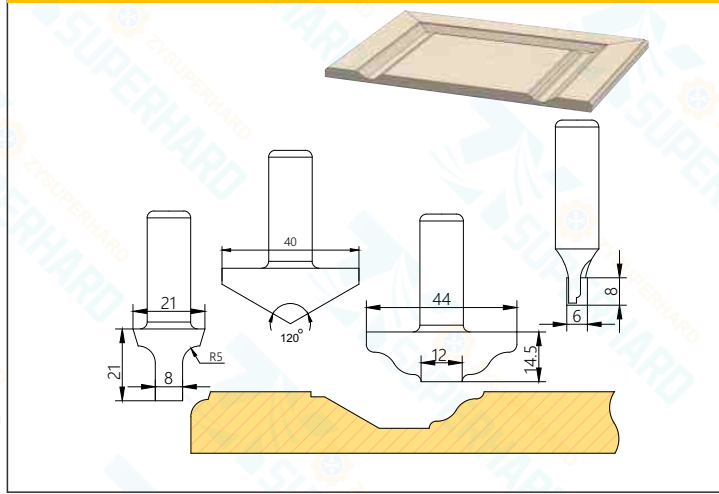
### 002# Sample reference diagram



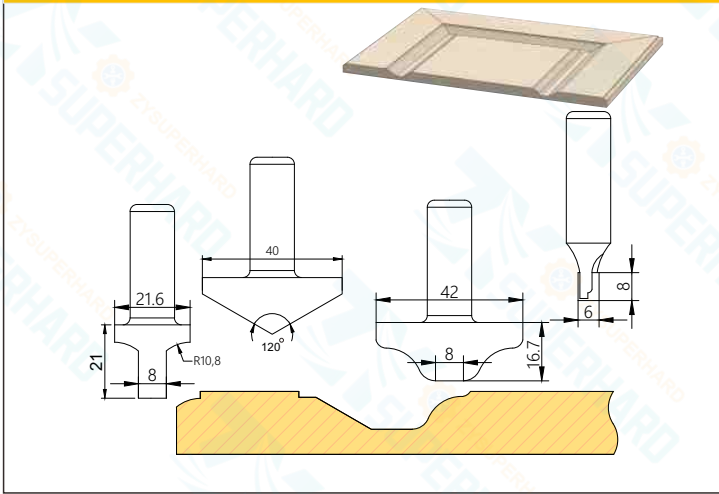
**003# Sample reference diagram**



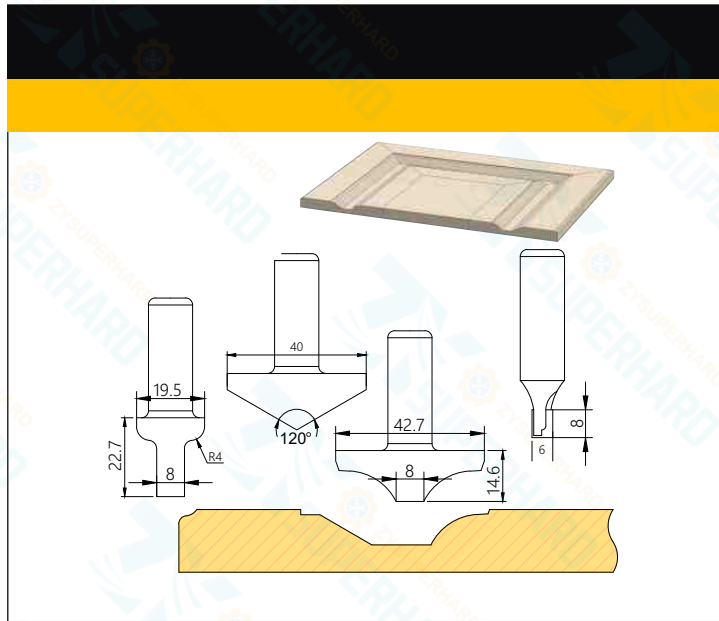
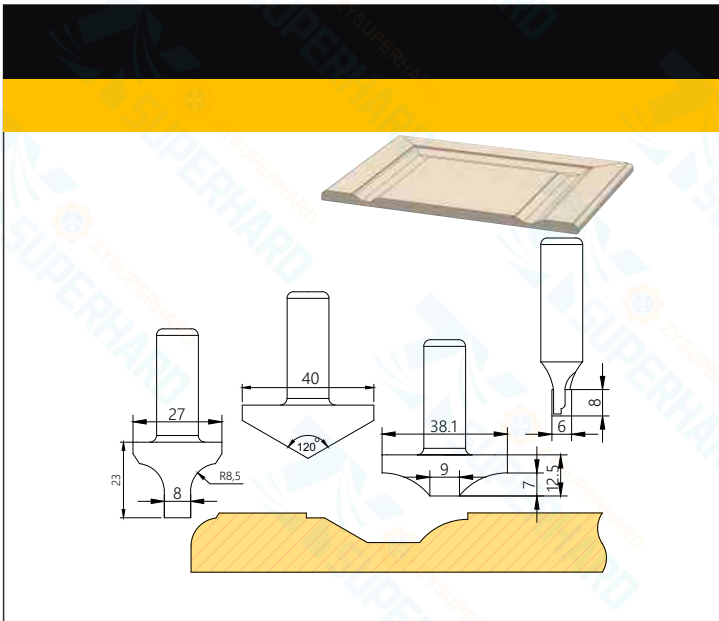
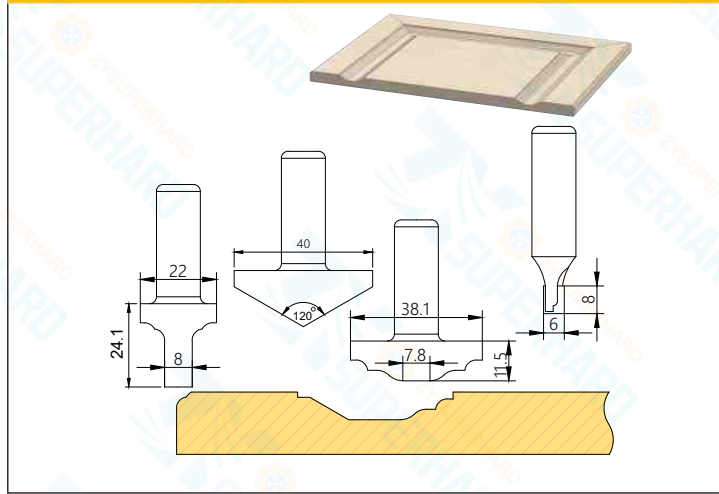
**004# Sample reference diagram**



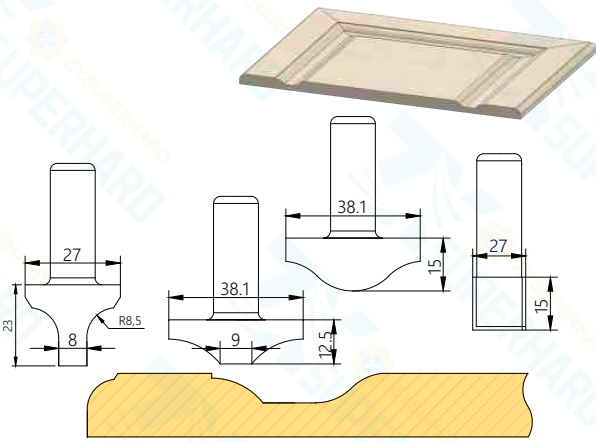
**005 Sample reference diagram**



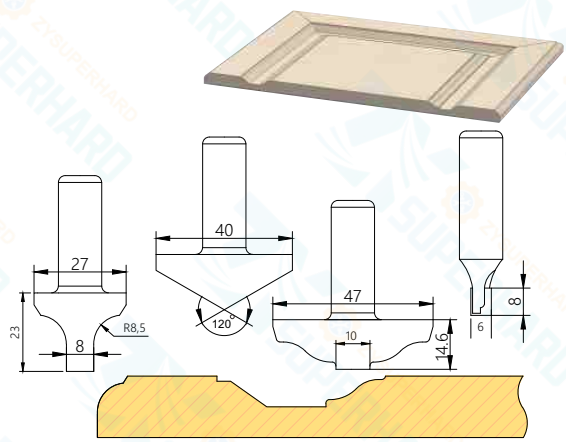
**006 Sample reference diagram**



## 009 Sample reference diagram



## 010 Sample reference diagram



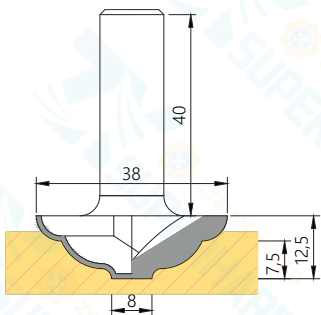
# PCD ROUTER BIT

## Panel Pattern Carving

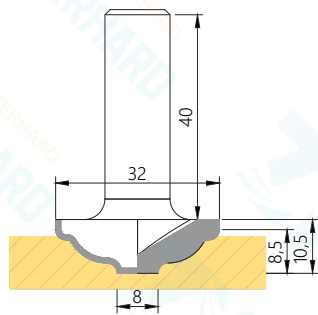
Material: Diamond  
 Suitable for machines: various carving machines



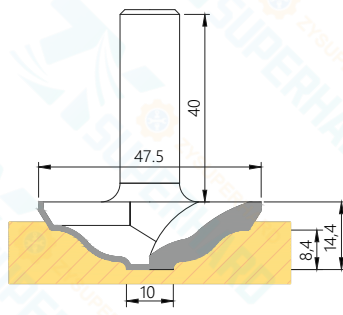
Z16001



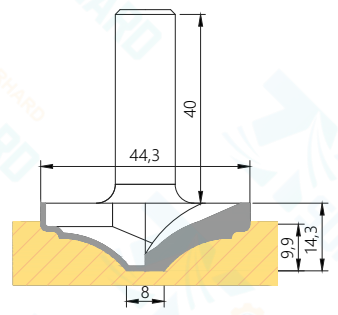
Z160012



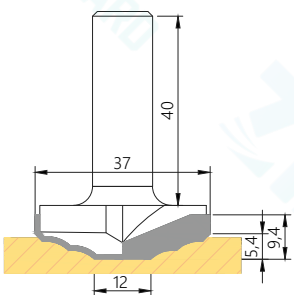
Z16003



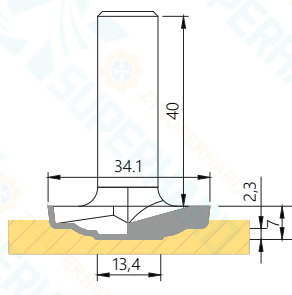
Z16004



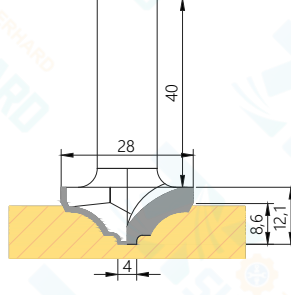
Z16005



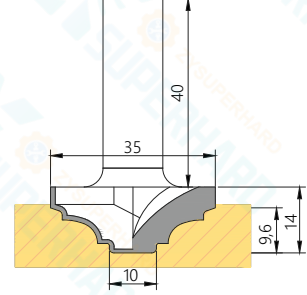
Z16006



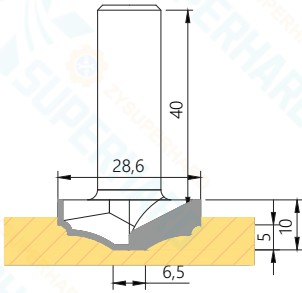
Z16007



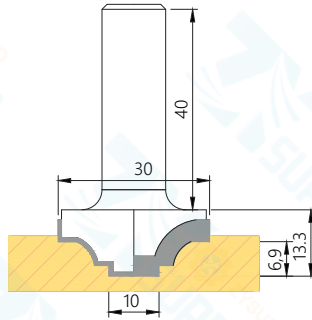
Z16008



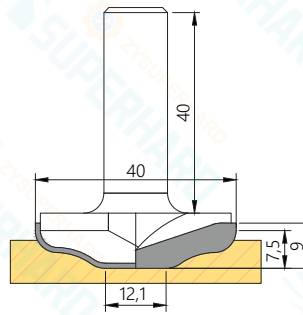
Z16009



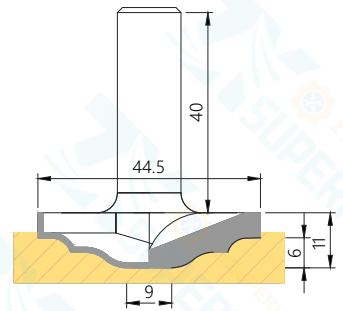
Z16010



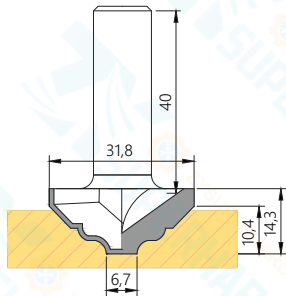
Z16011



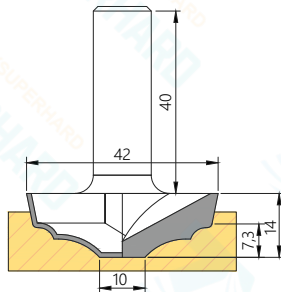
Z16012



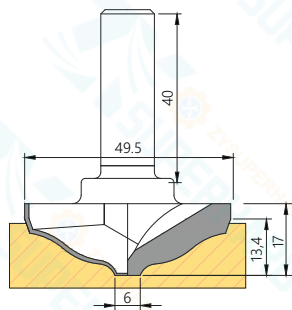
Z16013



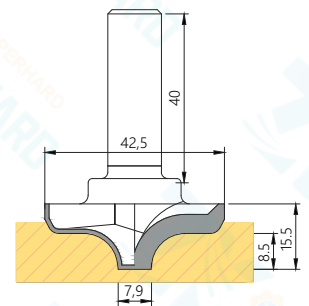
Z16014



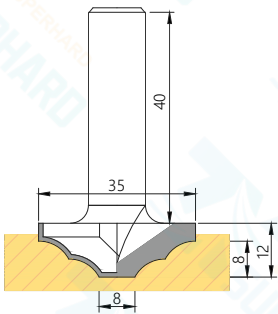
Z16015



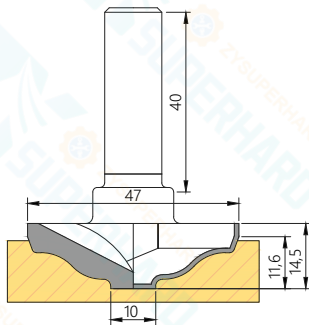
Z16016



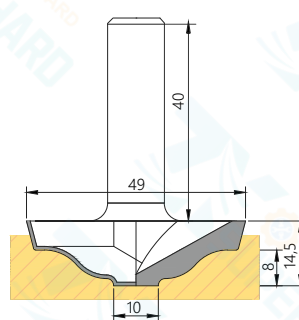
Z16017



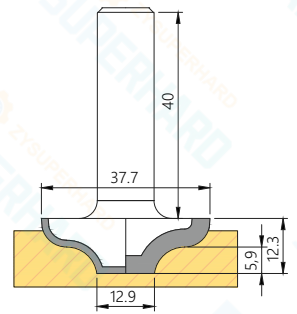
Z16018



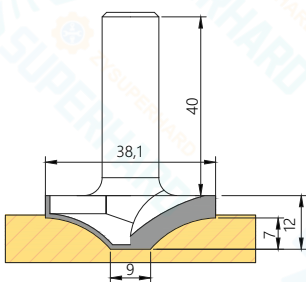
Z16019



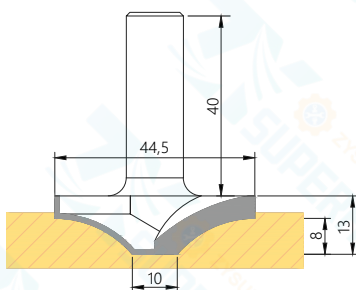
Z16020



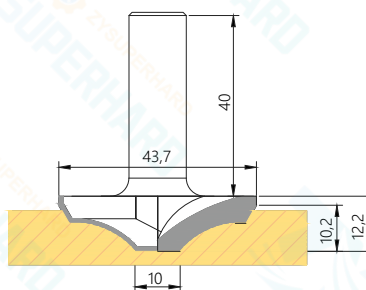
Z16021



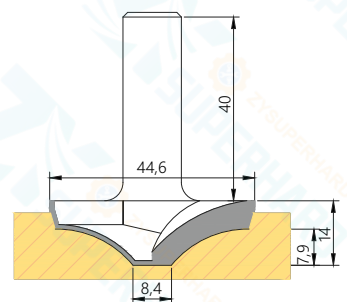
Z16022



Z16023



Z16024



# PCD ROUTER BIT

## PCD Butterfly Type Carving Cutter

Material: Diamond

Suitable for machines:

Engraving machine, CNC cutting machine

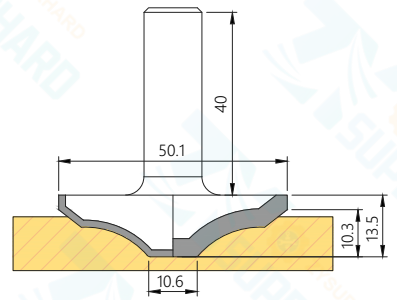
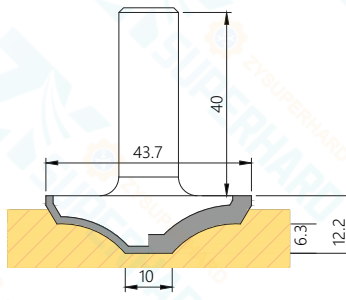
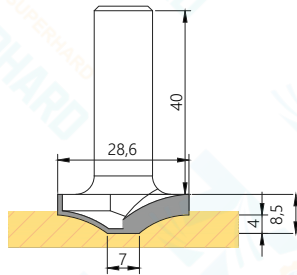
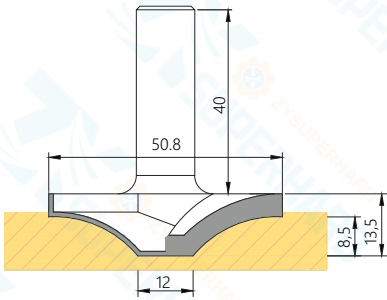


ZY16025

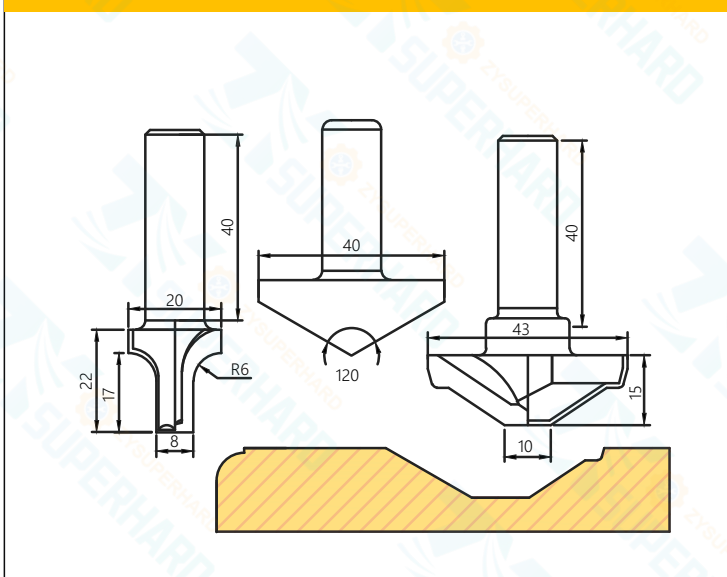
ZY16026

ZY16027

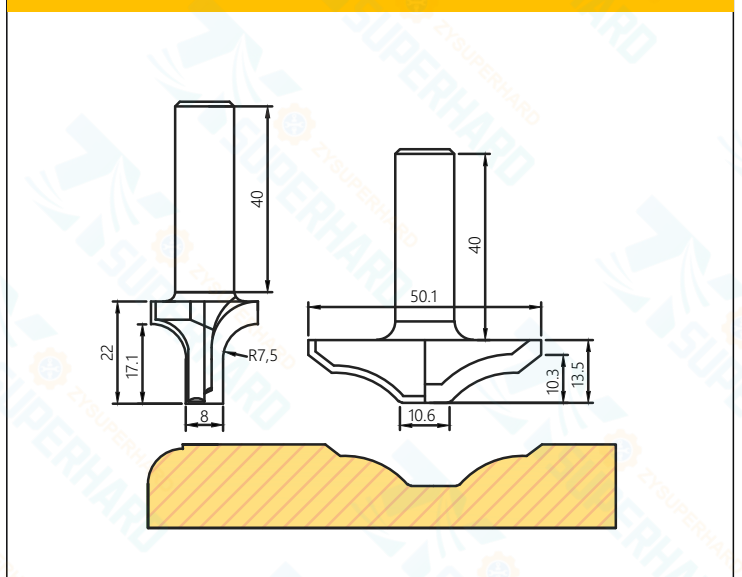
ZY16028



### 011 Sample reference diagram



### 012 Sample reference diagram



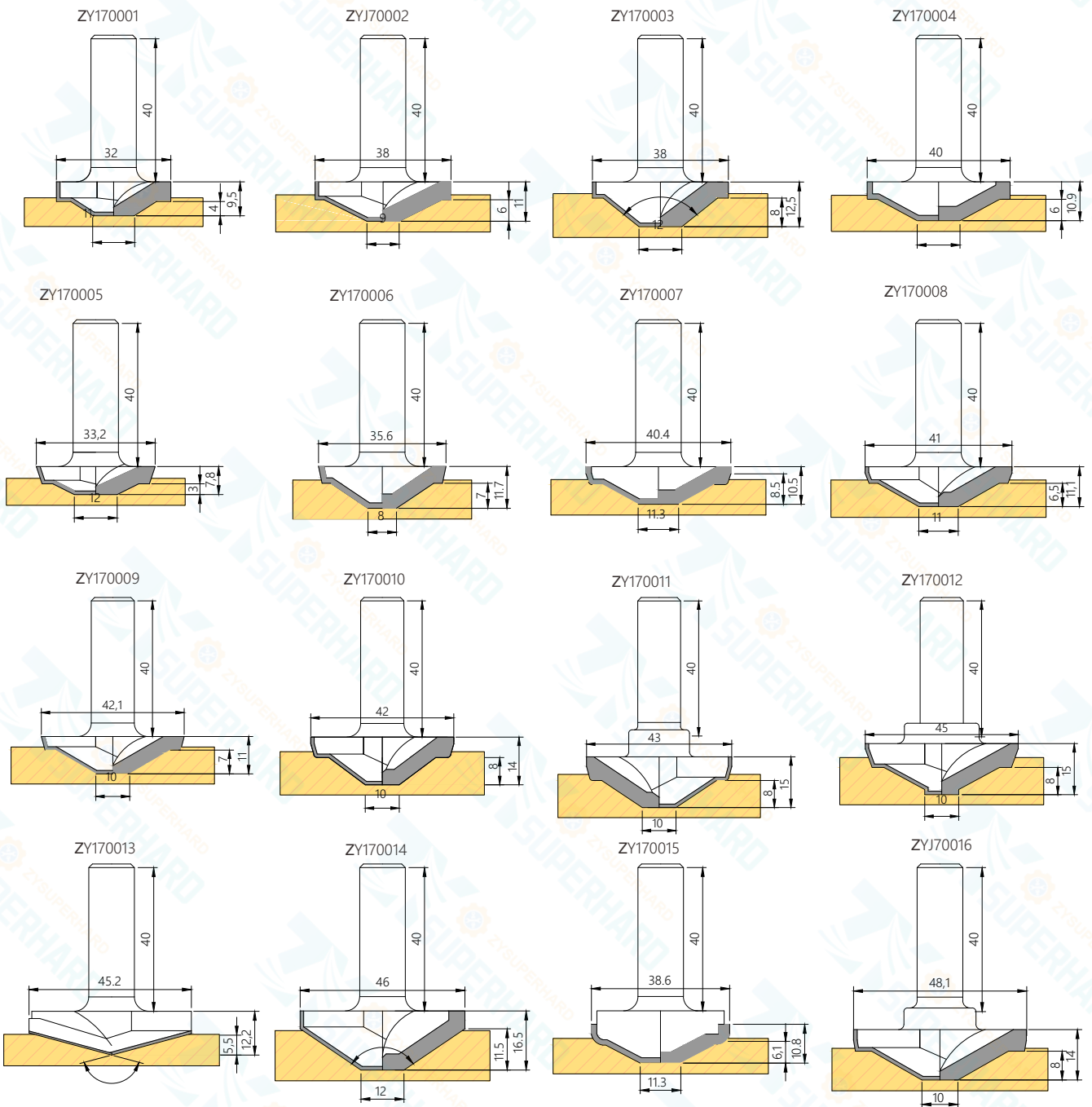
# PCD ROUTER BIT

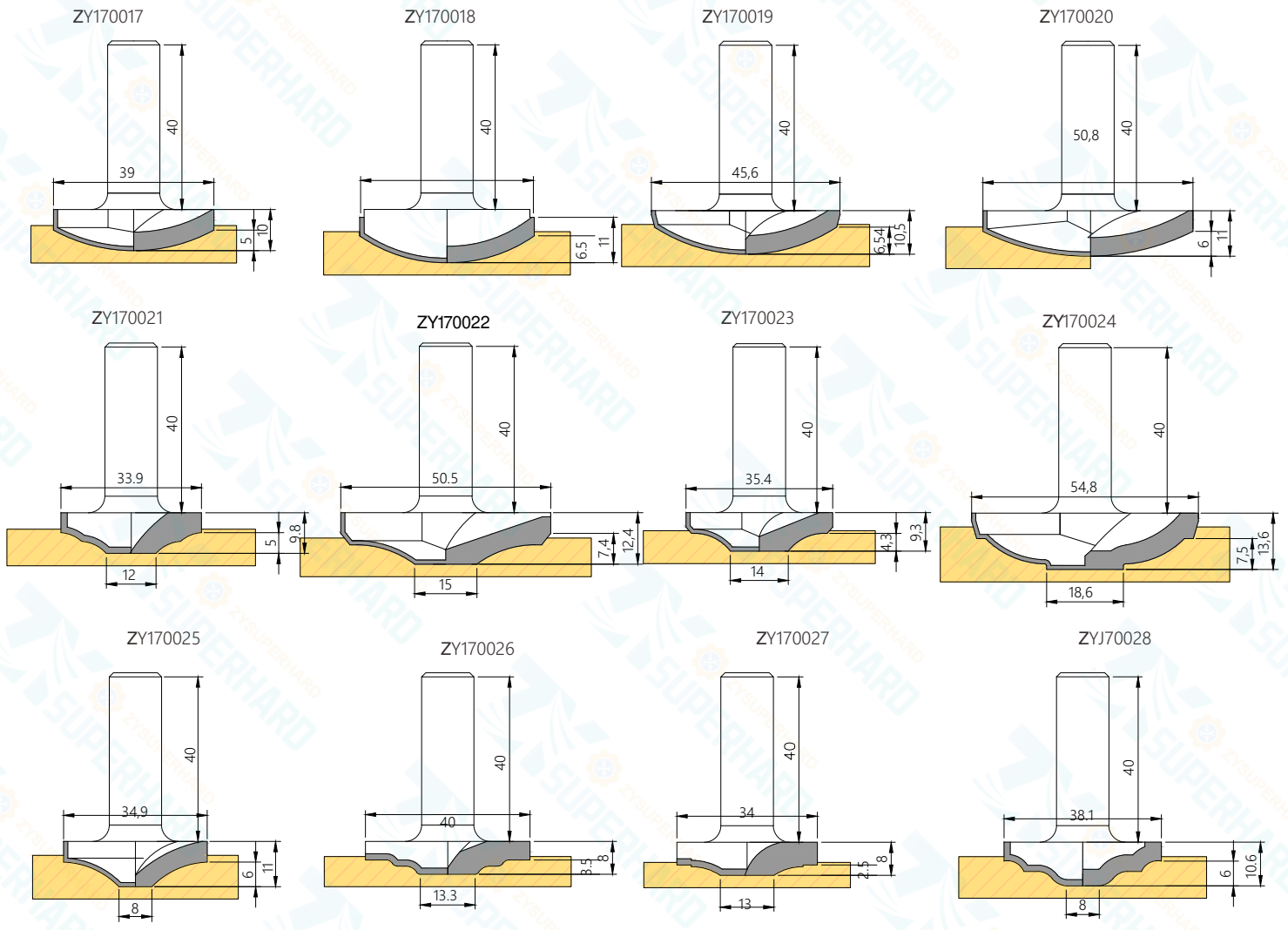
## PCD Panel Pattern Carving Tools

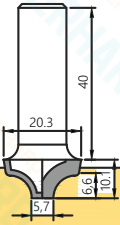
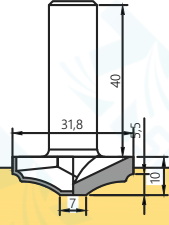
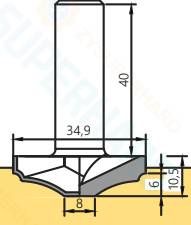
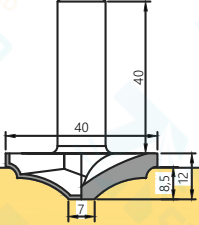
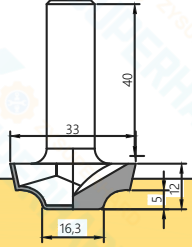
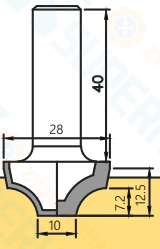
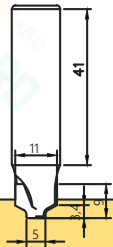
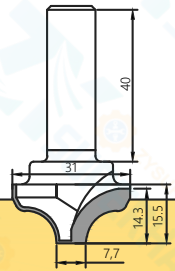
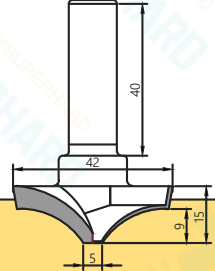
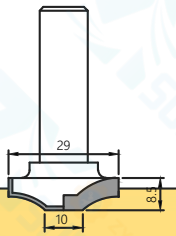
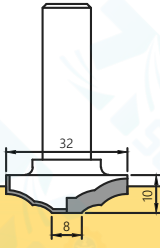
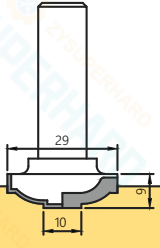
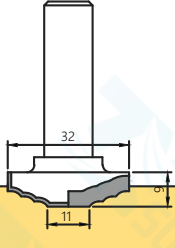
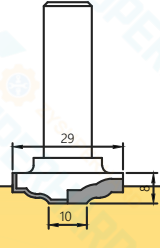
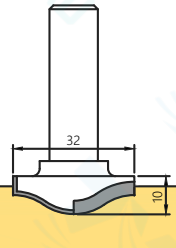
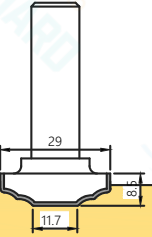
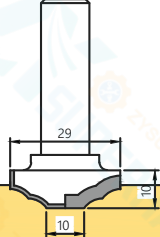
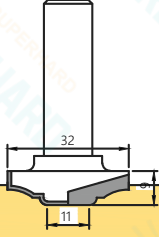
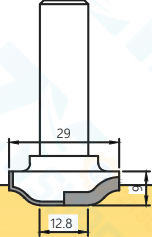
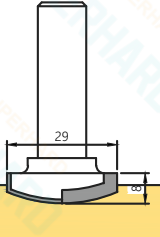
Material: Diamond

Suitable for machines:

Various carving machines





|   |   |   |   |   |
|---|---|---|---|---|
| <p><b>ZY17029</b></p>    | <p><b>ZY17030</b></p>    | <p><b>ZY17031</b></p>    | <p><b>ZY17032</b></p>    | <p><b>ZY17033</b></p>    |
| <p><b>ZY17034</b></p>   | <p><b>ZY17035</b></p>   | <p><b>ZY17036</b></p>   | <p><b>ZY17037</b></p>   | <p><b>ZY17038</b></p>   |
| <p><b>ZY17039</b></p>  | <p><b>ZY17040</b></p>  | <p><b>ZY17041</b></p>  | <p><b>ZY17042</b></p>  | <p><b>ZY17043</b></p>  |
| <p><b>ZY17044</b></p>  | <p><b>ZY17045</b></p>  | <p><b>ZY17046</b></p>  | <p><b>ZY17047</b></p>  | <p><b>ZY17048</b></p>  |

|                       |                       |                       |                       |                       |
|-----------------------|-----------------------|-----------------------|-----------------------|-----------------------|
| <p><b>ZY17049</b></p> | <p><b>ZY17050</b></p> | <p><b>ZY17051</b></p> | <p><b>ZY17052</b></p> | <p><b>ZY17053</b></p> |
| <p><b>ZY17054</b></p> | <p><b>ZY17055</b></p> | <p><b>ZY17056</b></p> | <p><b>ZY17057</b></p> | <p><b>ZY17058</b></p> |
| <p><b>ZY17059</b></p> | <p><b>ZY17060</b></p> | <p><b>ZY17061</b></p> | <p><b>ZY17062</b></p> | <p><b>ZY17063</b></p> |
| <p><b>ZY17064</b></p> | <p><b>ZY17065</b></p> | <p><b>ZY17066</b></p> | <p><b>ZY17067</b></p> | <p><b>ZY17068</b></p> |

# APPLICATION IN PRACTICE



Nina Qiao  
9171 8311



**Nina Qiao**

WhatsApp 商业帐号

**WhatsApp : +86 13526572721**

**ZY SUPERHARD TOOLS CO.,LTD**

**ADD MY WeChat: + 86 13526572721**

